

EL[®]MARK

The Brand of Electricity

LUCIA EL GARDEN FIXTURE



GENERAL INFORMATION »

- ∴ Rated voltage: 230V/ 50-60Hz
- ∴ Lamp holder: E27
- ∴ Colour: Black; Grey
- ∴ Body: Resin with opal glass
- ∴ UV resistant
- ∴ Lamp not included
- ∴ Insulation class II
- ∴ Protection rating: IP66

FEATURES »

- ∴ Round bulkhead lamp with eyelid cover
- ∴ Made of shockproof resin material
- ∴ UV-rays stabilized, rust and corrosion-free.
Suitable for ceiling, wall and post installation



AREAS OF APPLICATION »

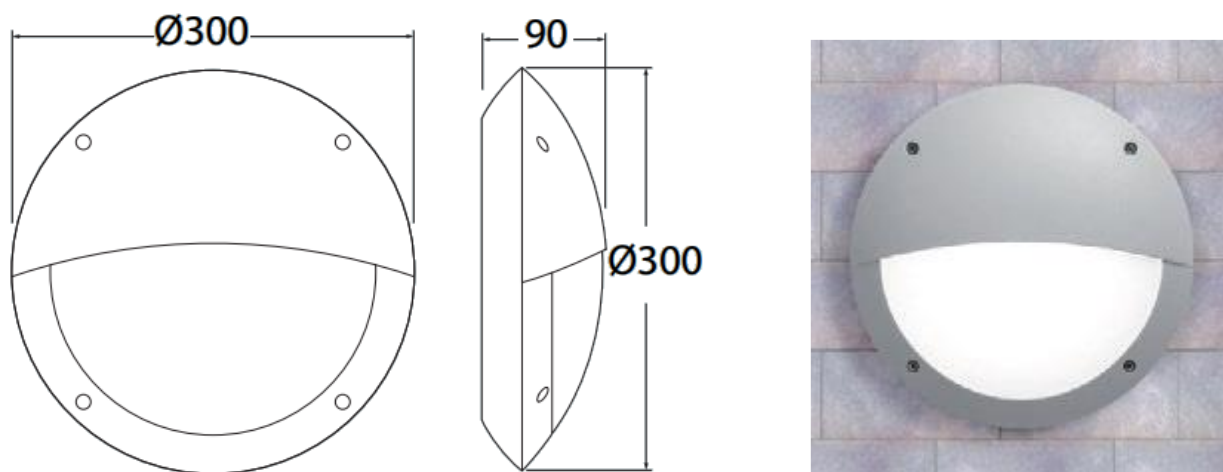
- ∴ Suitable for outdoor use
- ∴ Gardens
- ∴ Parks

TECHNICAL SPECIFICATION SHEET

PRODUCT DETAILS »


Catalogue number	Description	Colour	Lamp holder
95LUCIAEL/BL	Bulkhead lamp	Black	1xE27
95LUCIAEL/GR	Bulkhead lamp	Grey	1xE27

DIMENSIONS »



ADDITIONAL INFORMATION »

E **ELMARK** lighting 95LUCIAEL/BL

 This luminaire is compatible with bulbs of the energy classes:

A++

A+

A


B


C

D

E

}



874/2012 

Catalogue number	Barcode	Packing/Box (pcs)
95LUCIAEL/BL	8031874015328	1/16
95LUCIAEL/GR	8031874015441	1/16

